

1. Download the Danalock app
 Go to Google Play or App Store and download the Danalock App.
 When the app is installed you create a user profile by pressing the blue ring. You will use this profile each time you sign into the app.
 You will need to finish setting the Danalock up in the app after mounting it on the door.

2. Get your tools together
 To install the Danalock, you'll need a Phillips screwdriver and tape, preferably masking tape.
 Should you need to remove or readjust the lock, a pen tip or paper clip will be needed.

3. Check door alignment
 Ensure that your door is properly aligned before beginning installation.
 You should be able to lock your door without pushing, pulling, or lifting the door.

Thumb-turn must move and lock smoothly.

4. Secure outside keyhole
 Before removing your existing lock, use tape to secure the outside keyhole. This will keep it in place as you remove the screws on the inside.

5. Remove inside thumb-turn
 Remove the inside thumb-turn, leaving just the deadbolt and tailpiece remaining.
 Set aside the screws. You'll reinstall them in step 7.

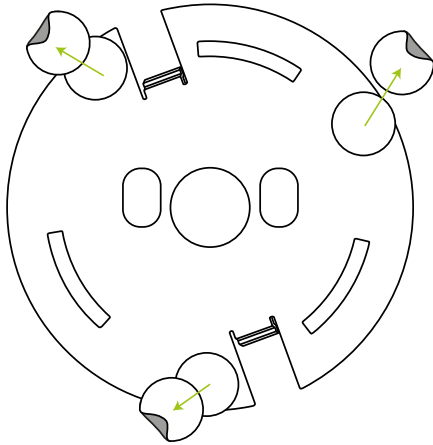
6. Select a backplate
 Find the backplate that matches the brand of your existing lock.

A Omnia Weslock | **B** Schlage Weiser | **C** Baldwin Emtek Kwikset



7. Remove the paper from the stickers

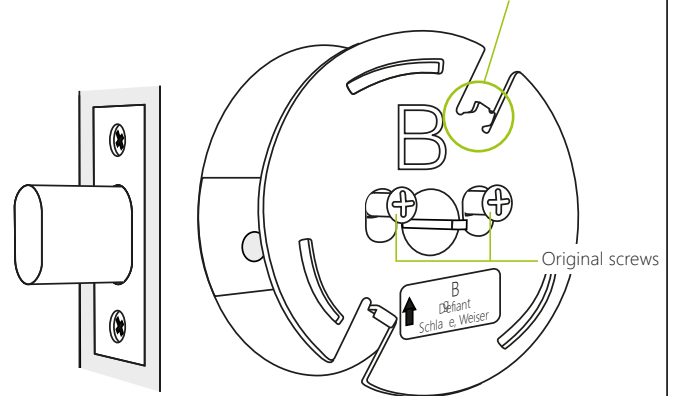
On the backside of the backplate you'll find three stickers. Remove the paper from the stickers.



8. Fasten backplate

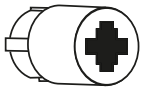
Fasten the backplate where the thumb-turn was using the two original screws, with the arrow on the label pointing up.

The notches on the backplate must be facing out with the tailpiece centered exactly in the middle hole.



9. Select tailpiece adapter

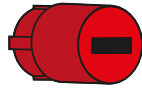
Select the tailpiece adapter that matches the shape of your existing lock's tailpiece.



Baldwin
Defiant
Emtek
Omnia
Weiser
Weslock



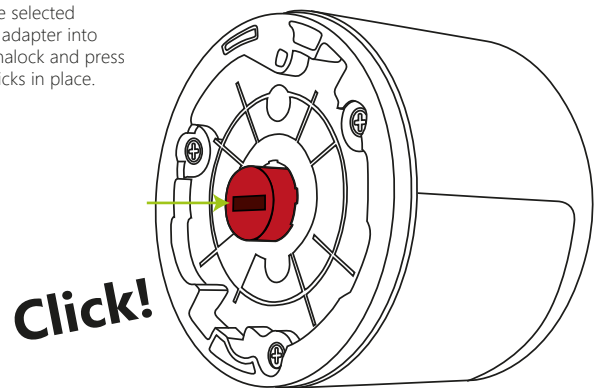
Baldwin
Kwikset



Schlage
Depends on the length
of your tailpiece.

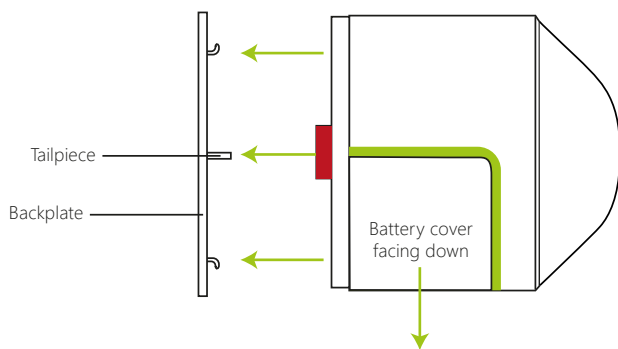
10. Insert adapter into Danalock

Insert the selected tailpiece adapter into your Danalock and press until it clicks in place.



11. Fit and fasten Danalock

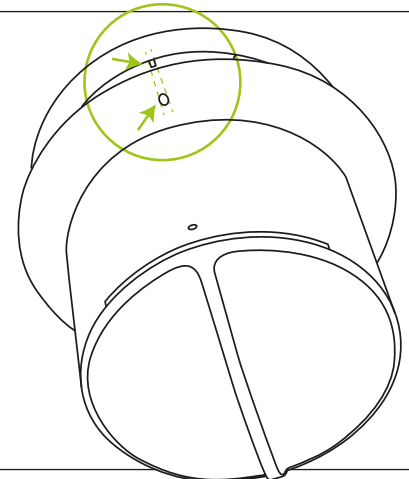
Fit the Danalock onto the backplate with the battery cover facing down, the tailpiece sliding into the adapter and the backplate notches into the back of the lock.



12. Align the platemarks

Find the small marking at the edge of the backplate and align it with the hole in the cover ring surrounding the Danalock.

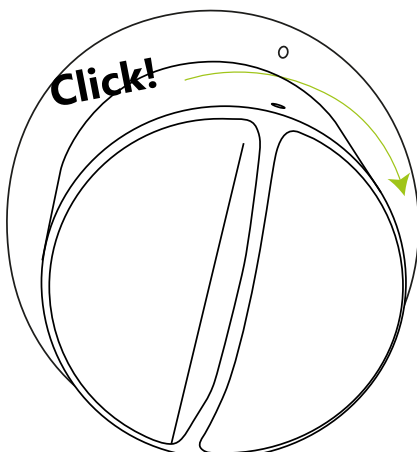
Now you are sure to hit the notches on the backplate with the Danalock.



13. Fasten the Danalock

Turn the Danalock clockwise until it clicks to fasten it to the back plate.

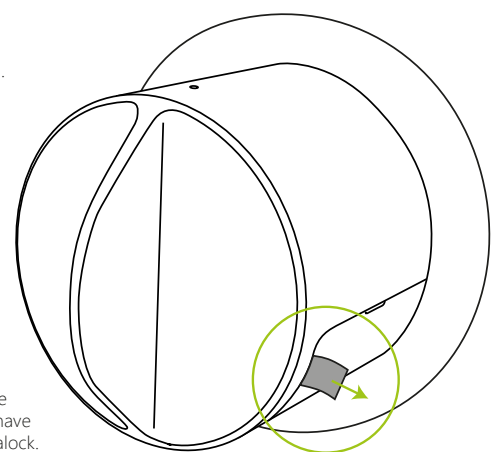
NOTE: If you need to unfasten and retry, see "Uninstall instructions" at the end of the manual.



14. Activate batteries

Pull out the plastic tab to activate the batteries.

A light will flash to confirm the Danalock is ready.



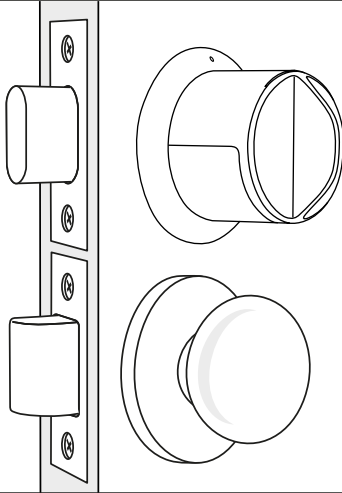
Note: If the batteries are disconnected, you will have to re-calibrate the Danalock.



15. Complete setup in the Danalock app

Your Danalock is now attached to the door. Download and open the Danalock app to finish setting it up.

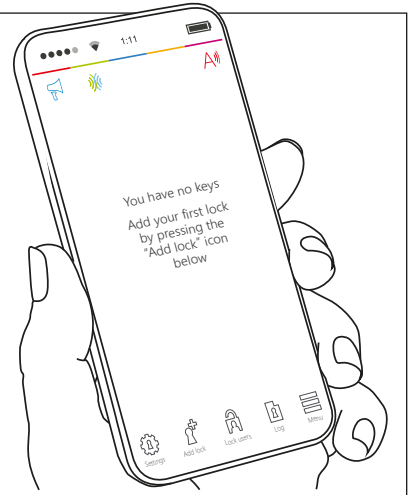
Leave the door open, so the lock isn't influenced when calibrated.



16. Download the Danalock App

Open the Danalock app you downloaded at the start. When you have logged in you will see your empty keychain. Press "Add lock" at the bottom of the screen.

A guide will now lead you through the installation and configuration of your Danalock.



17. Dismount instructions

If at any time you need to dismount the Danalock from your door, insert a pen tip into the hole at the top inner edge of the lock and press while turning the lock counter-clockwise until the lock releases.

This will not reset the lock or disconnect it from your account, but the lock may need to be re-calibrated if fastened to your door again.

