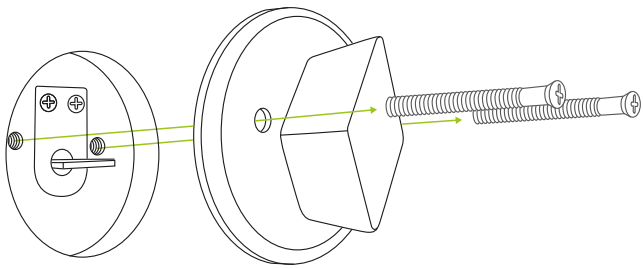


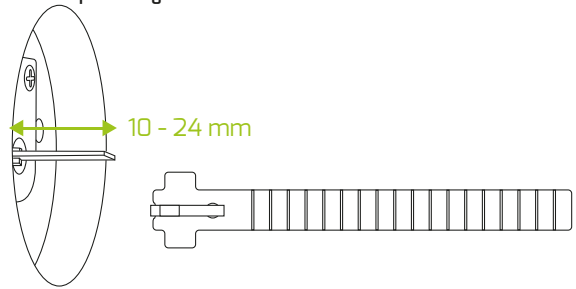
SCANDI version quickmount page 1

1. Remove the current door lock



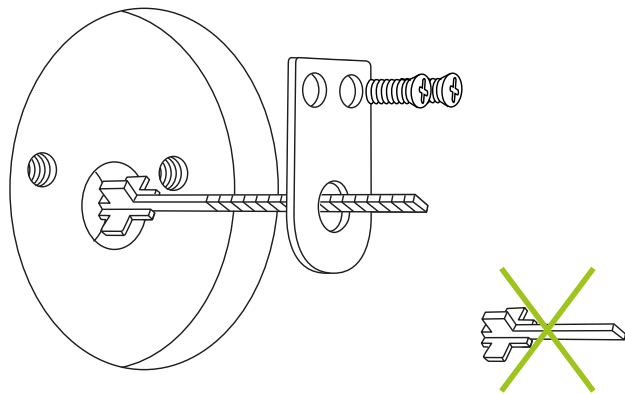
First you have to remove the existing thumb turn on the inside of the door.
(On some doors it can be helpful to put a piece of tape across the lock on the outside of the door to prevent it from falling when the screws are removed).

2. Normal tailpiece length



Most doors have tailpieces that extends 10 - 24 mm from the doorplate. They will fit the Danalock without need for any adjustments to their length!
If the tailpiece is less than 10 mm long from the door surface, an extra tailpiece can be found in the Danalock box. (see the 2 next illustrations)

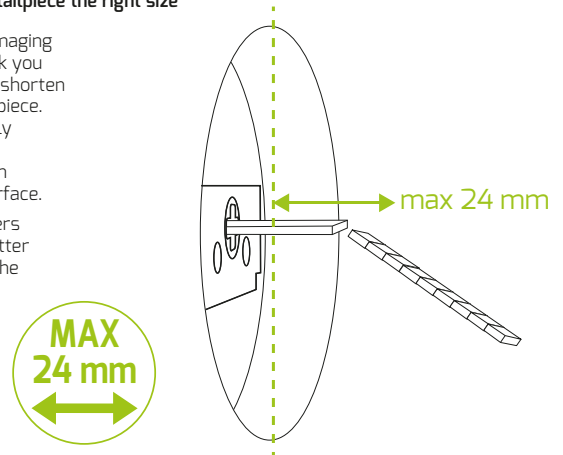
3. Tailpiece too short - insert a new



Just replace the tailpiece on your door with the tailpiece from the Danalock package.

4. The new tailpiece the right size

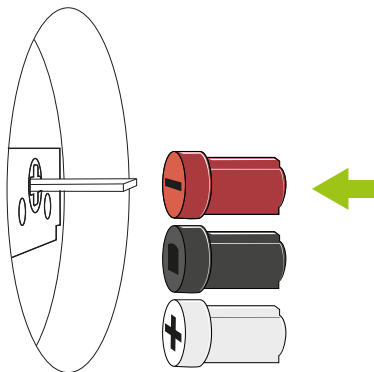
To avoid damaging the Danalock you will have to shorten the new tailpiece. It should only extend max. 24 mm from the door surface.
Use two pliers or a wire cutter to shorten the tailpiece.



5. Tailpiece adaptors

Choose the tailpiece adaptor that fits your doors tailpiece.

The dark red adaptor fits most SCANDI and EURO doors.

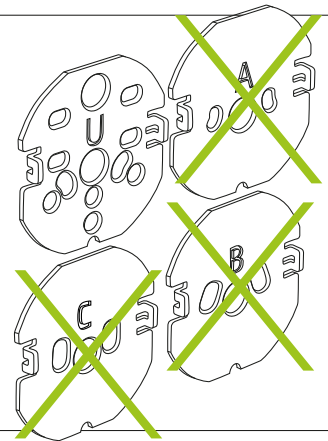


6. Choose the right back plate

In the Danalock box there's 4 different metal back plates.

A, B and C is for US deadbolt doors.

U is for EURO and SCANDI doors.
This is the one you normally have to use on Scandinavian doors.

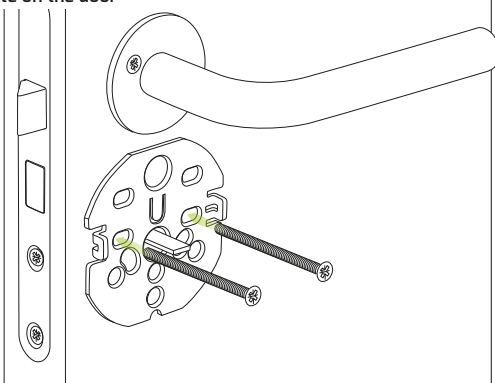


7. Mounting the backplate on the door

Place the back plate where the thumb turn used to be on your door.

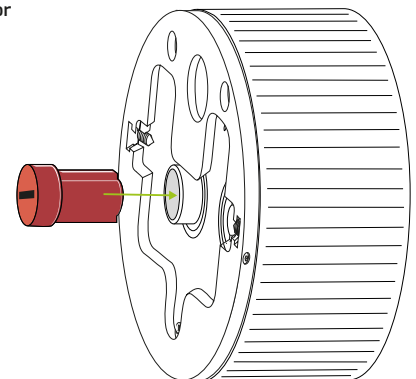
The round hole in the middle is for the tailpiece.

Use the 2 screws from the thumb turn to attach the back plate.



8. Attach the tailpiece adaptor

Insert the tailpiece adaptor that suits the tailpiece on your door in the center tube on the backside of your Danalock.



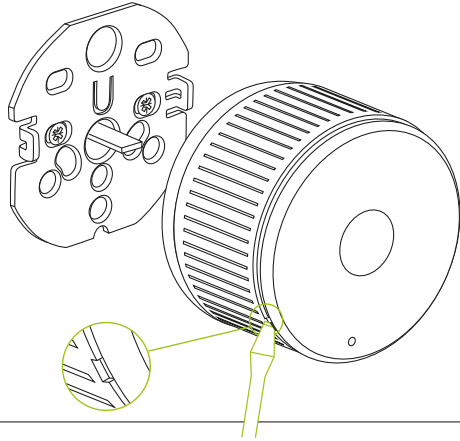
SCANDI version quickmount page 2

9. Remove the lid

To power up your Danalock circle you first have to remove the top lid from the housing base.

Use a small flat-head screwdriver to separate the lid from the housing base.

Be gentle when removing the lid.

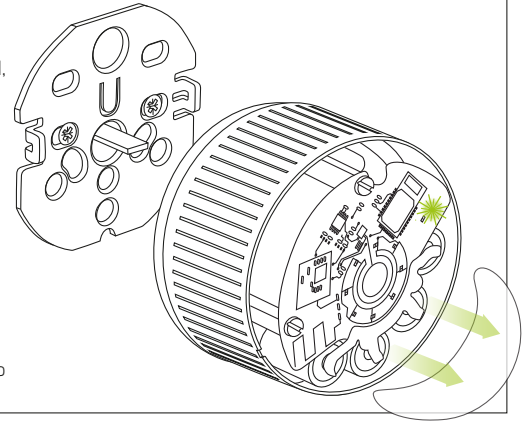


10. Power up the lock

The Danalock comes with batteries inserted, but a thin plastic folio guarantees that your new Danalock is fully charged.

Remove the folio and the Danalock lights up with a green light for 5-10 seconds.

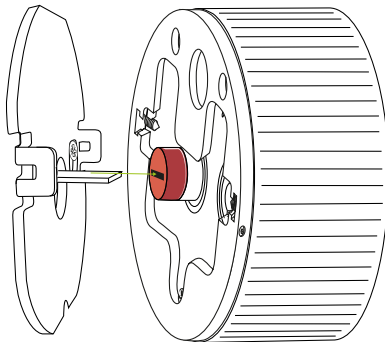
NOTE: This LED is the ONLY light that lights up after the folio has been removed.



11. Fit the tailpiece to the middle of the housing base

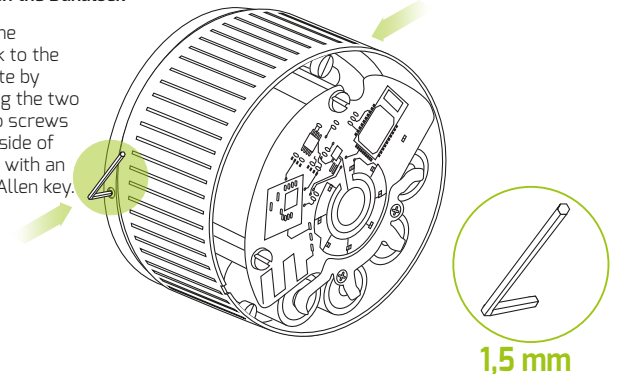
Fit the Danalock over the back plate.

Make sure that the tailpiece hits the slide in the middle of the adaptor.



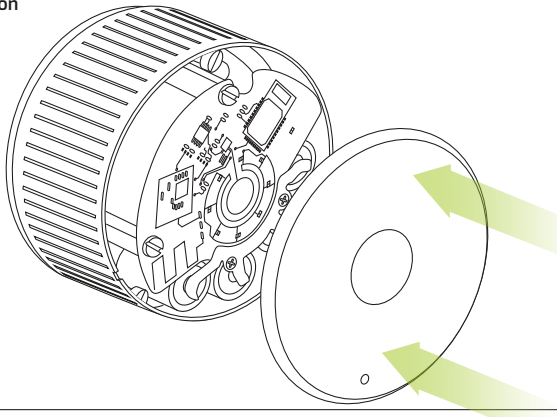
12. Fasten the Danalock

Fasten the Danalock to the back plate by tightening the two umbraco screws on each side of the base with an 1,5 mm Allen key.



13. Click the lid on

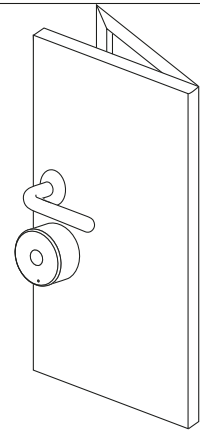
Click the lid gently back on.



14. Ready for calibrating

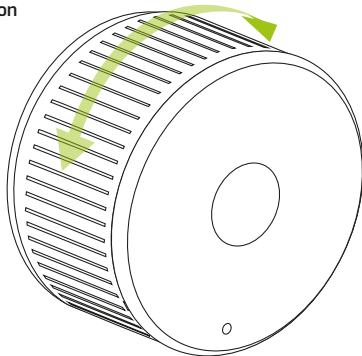
You need to calibrate the Danalock before you can use it.

Please twist the Danalock with your hand until the door is unlocked. Leave the door open, so the lock isn't affected while it is calibrating.



15. Lock/unlock door with User button

Go to Google Play or App Store and download the Danalock App. When you have installed the App and logged in, a wizard will guide you through the calibration and adjustments of the Danalock.



Note: If the batteries are disconnected, you will have to calibrate the Danalock again.

