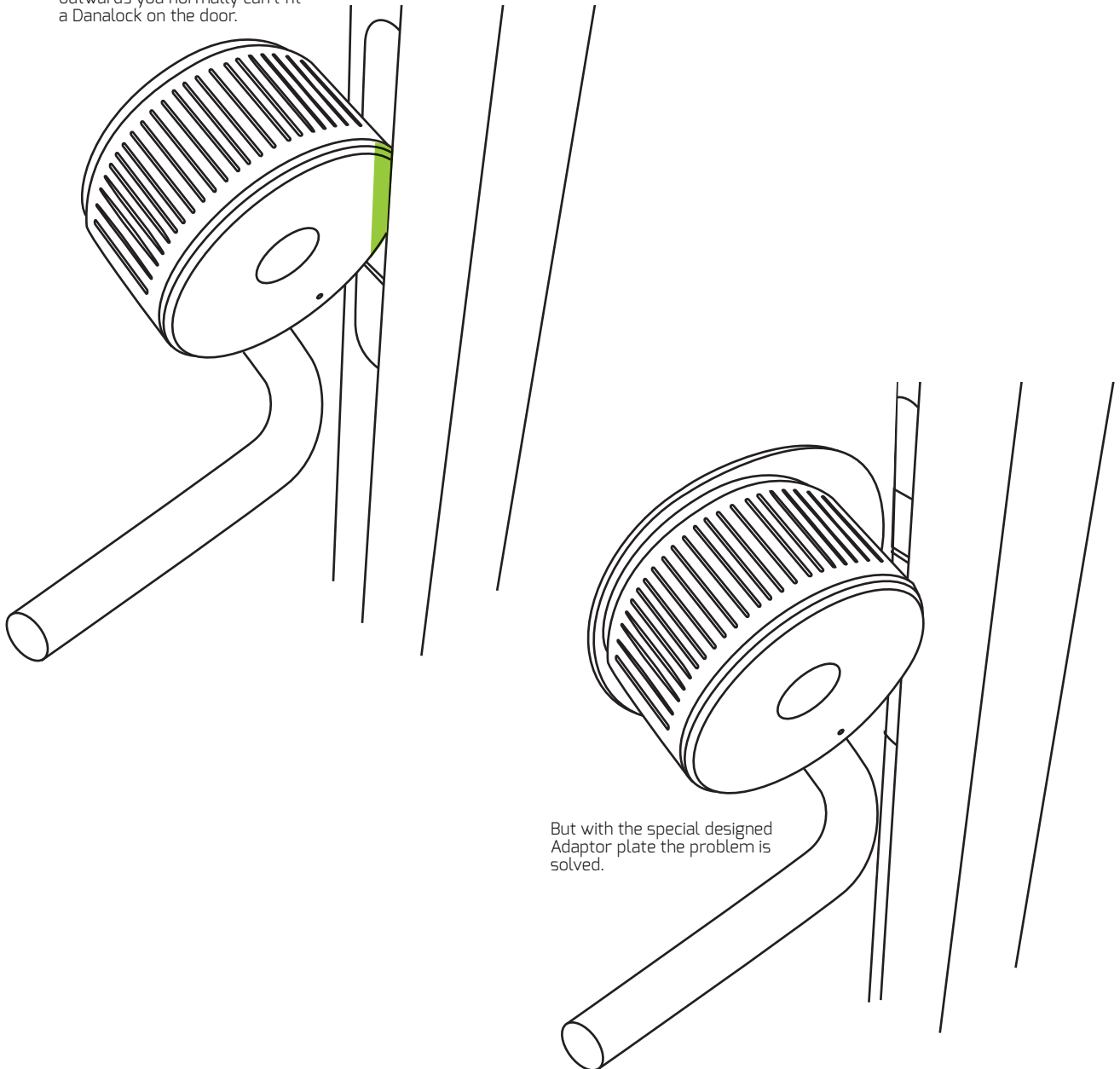


Danalock SCANDI Adaptor plate quickmount

For doors that open outwards

Use the adaptor plate to avoid the door frame
from blocking the Danalock

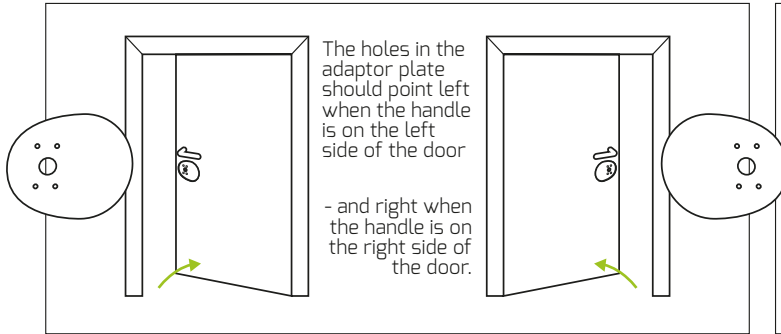
If your scandinavian door opens
outwards you normally can't fit
a Danalock on the door.



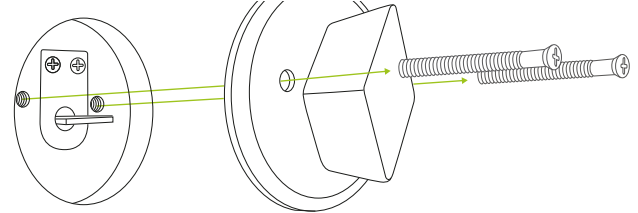
But with the special designed
Adaptor plate the problem is
solved.



SCANDI version quickmount page 2



1a. Remove the thumb turn



First you have to remove the existing thumb turn on the inside of the door. (On some doors it can be helpful to put a piece of tape across the lock on the outside of the door to prevent it from falling when the screws are removed).

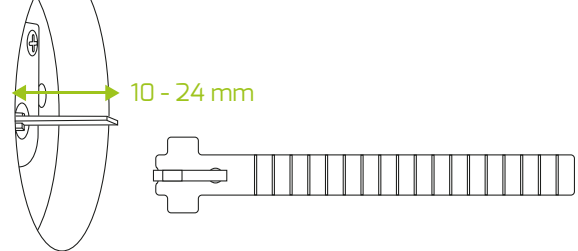
1b. Remove the key cylinder on doors with keys on the inside and a thumb turn

On doors with a long plate, keys and thumb turn you need to remove the key cylinder on the inside of the door and swap it with the new tailpiece from the Danalock package.

Use the cover plate from the package to hold the tailpiece.



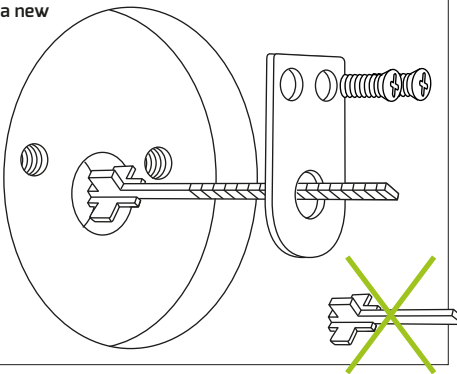
2. Normal tailpiece length



Most doors have tailpieces that extends 10 - 24 mm from the doorplate. They will fit the Danalock without need for any adjustments to their length! If the tailpiece is less than 10 mm long from the door surface, an extra tailpiece can be found in the Danalock box. (see the 2 next illustrations)

3. Tailpiece too short - insert a new

Unscrew the cover plate that holds the tailpiece and switch the tailpiece that is too short with a new from the Danalock box. Due to varying door thickness, the new tailpiece is often too long.



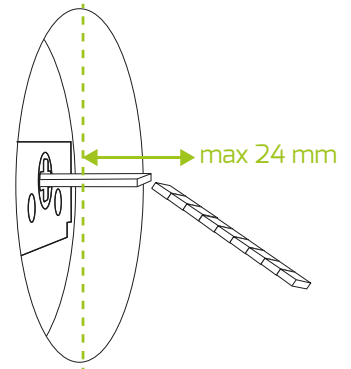
4. The new tailpiece the right size

To avoid damaging the Danalock you will have to shorten the new tailpiece.

It should only extend max. 24 mm from the door surface.

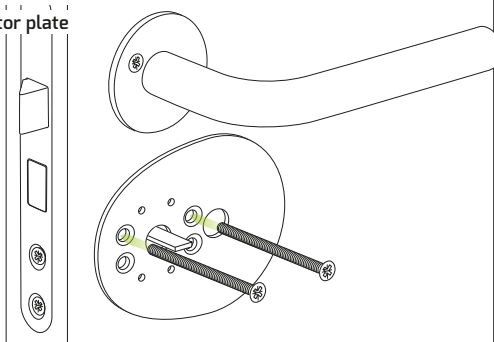
Use two pliers or a wire cutter to shorten the tailpiece.

MAX 24 mm



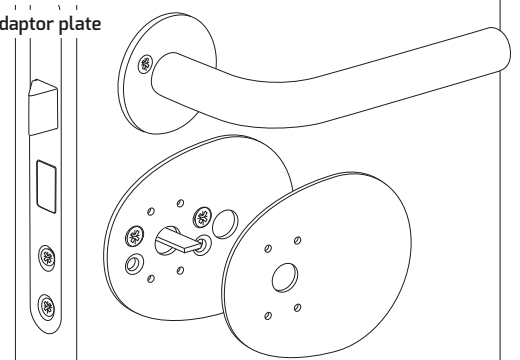
5. Attach the first adaptor plate

Place the first of the 2 adaptor plates (the one with all the holes) and fasten it to the door with the screws that originally held the thumb turn.



6. Attach the second adaptor plate

Put the second adaptor plate on top of the first one. This plate will be fastened to the door when you attach the back plate. (See illustration 8).



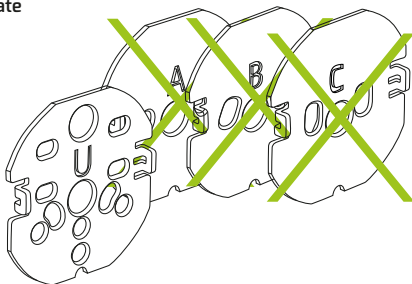
7. Choose the right back plate

In the Danalock box there's 4 different metal back plates.

A, B and C is for US deadbolt doors.

U is for EURO and SCANDI doors.

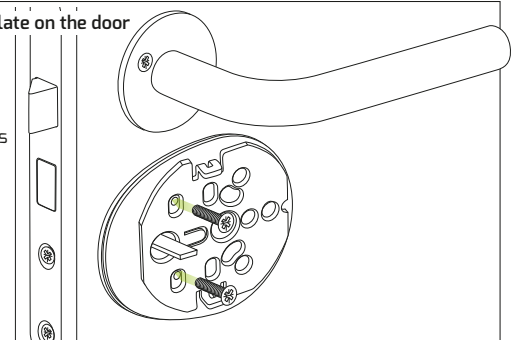
This is the one you normally have to use on Scandinavian doors.



8. Mounting the backplate on the door

Place the back plate on top of the adaptor plates.

Use the 2 small screws from the Danalock package to attach the back plate.



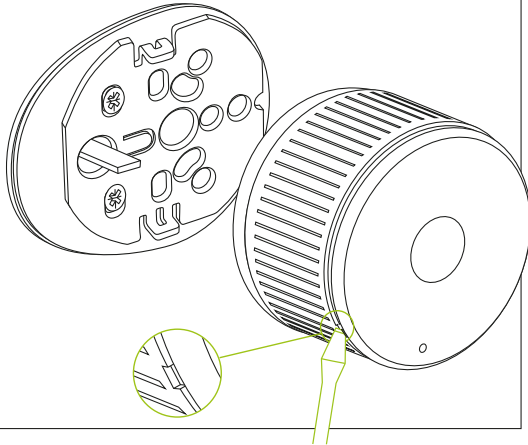
SCANDI version quickmount page 3

9. Remove the lid

To power up your Danalock circle you first have to remove the top lid from the housing base.

Use a small flat-head screwdriver to separate the lid from the housing base.

Be gentle when removing the lid.

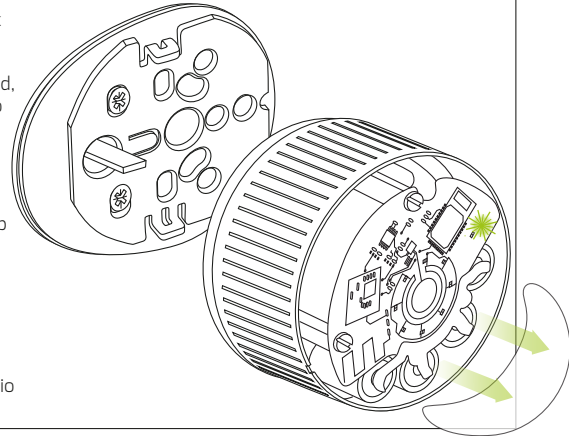


10. Power up the lock

The Danalock comes with batteries inserted, but a thin plastic folio guarantees that your new Danalock is fully charged.

Remove the folio and the Danalock lights up with a green light for 5-10 seconds.

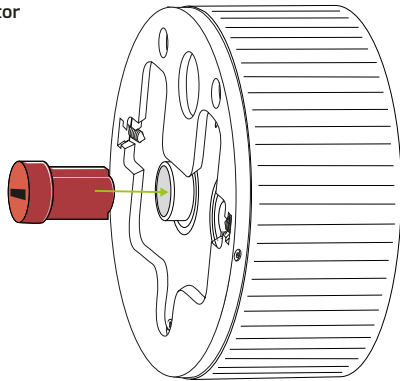
NOTE: This LED is the ONLY light that lights up after the folio has been removed.



11. Attach the tailpiece adaptor

Insert the dark red tailpiece adaptor in the center tube on the backside of your Danalock.

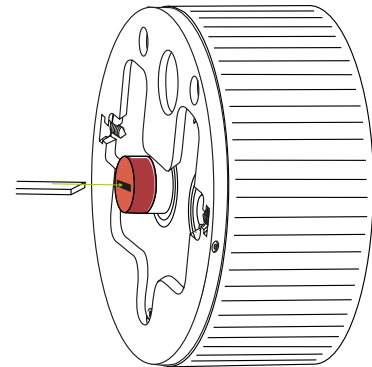
The dark red adaptor is made to fit SCANDI and EURO doors.



12. Fit the tailpiece to the middle of the housing base

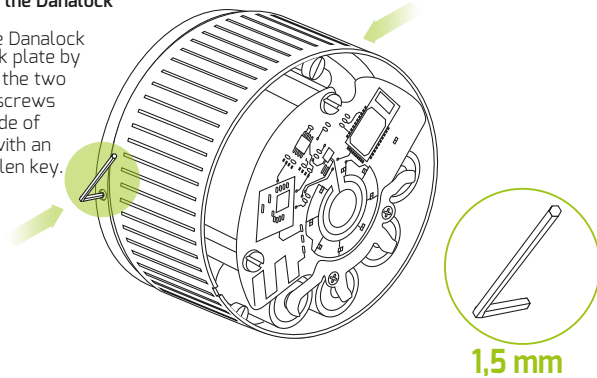
Fit the Danalock over the back plate.

Make sure that the tailpiece hits the slide in the middle of the adaptor.



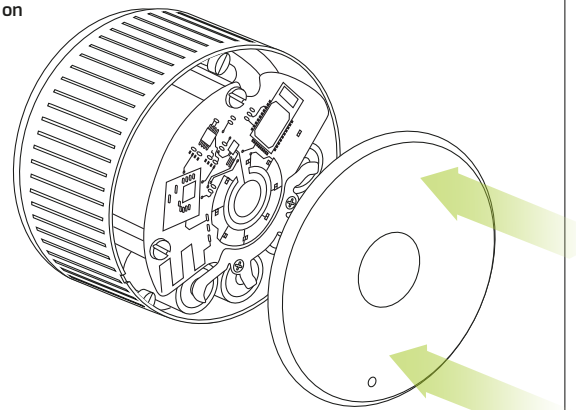
13. Fasten the Danalock

Fasten the Danalock to the back plate by tightening the two umbraco screws on each side of the base with an 1,5 mm Allen key.



14. Click the lid on

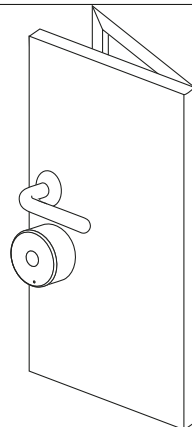
Click the lid gently back on.



15. Ready for calibrating

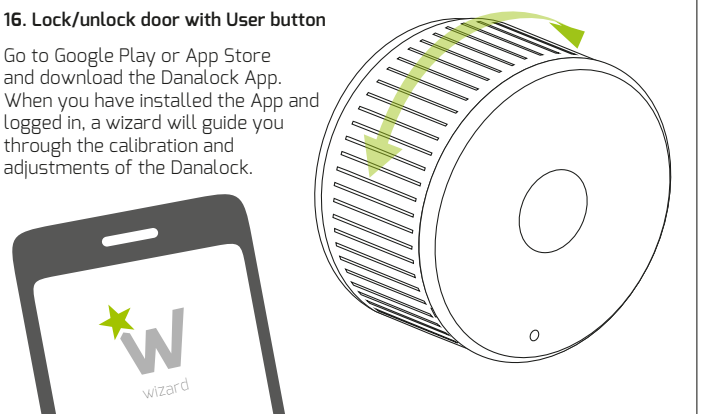
You need to calibrate the Danalock before you can use it.

Please twist the Danalock with your hand until the door is unlocked. Leave the door open, so the lock isn't affected while it is calibrating.



16. Lock/unlock door with User button

Go to Google Play or App Store and download the Danalock App. When you have installed the App and logged in, a wizard will guide you through the calibration and adjustments of the Danalock.



Note: If the batteries are disconnected, you will have to calibrate the Danalock again.

